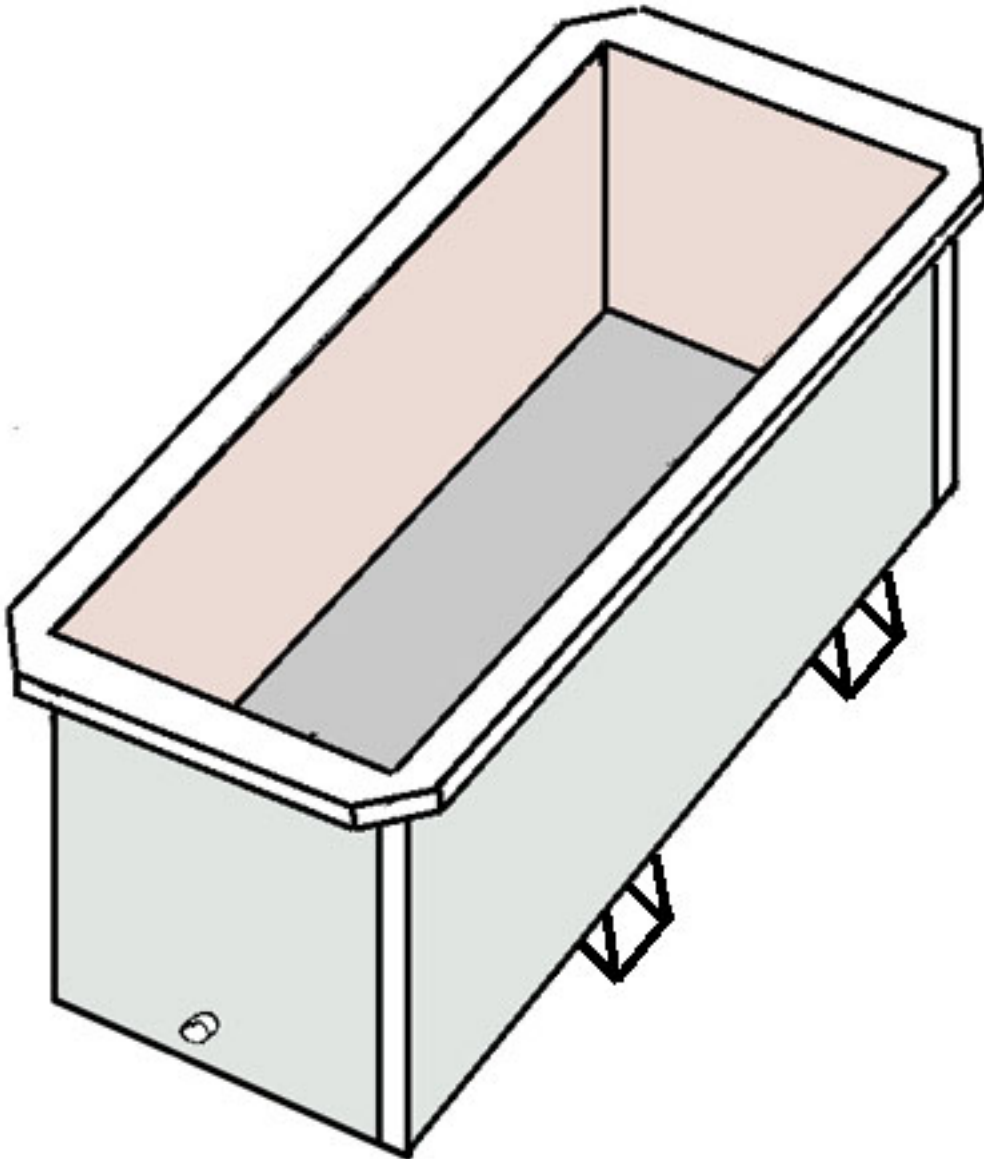


HOW TO BUILD A SOAK TANK

A soak tank is the easiest way to use Big John's Booster Beads Grill Top Cleaner. Any local machine shop can quickly manufacture one for you. The tank should have a 2" drain plug and be made of 12 gauge material in either galvanized or stainless steel. In addition, the bottom has 2" x 4" channel supports as legs which is the correct size for fork lift's to be able to move the tank around your location. Also, we suggest fitting the soak tank with a plywood cover.



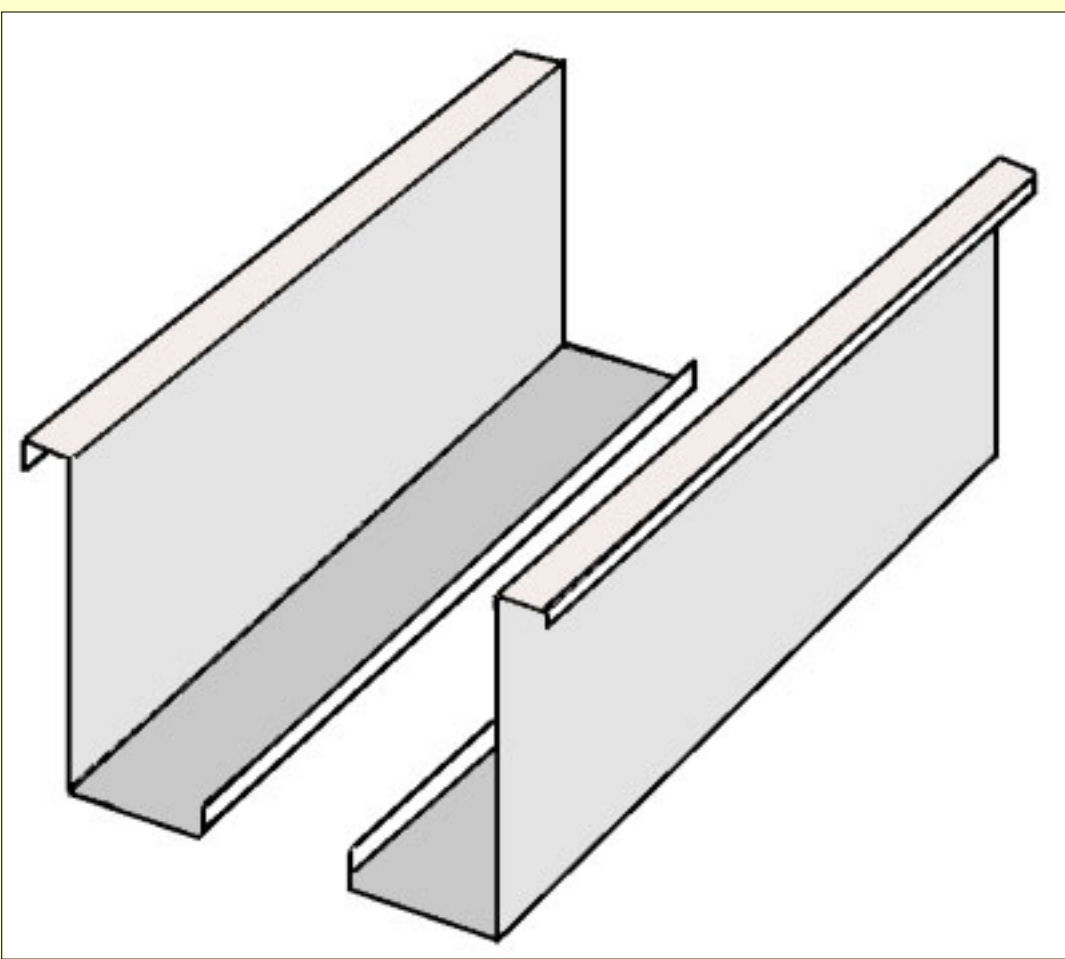
Soak Tank holds
4 Grill Tops

Grill Tank Dimensions:

6 1/2 ' long

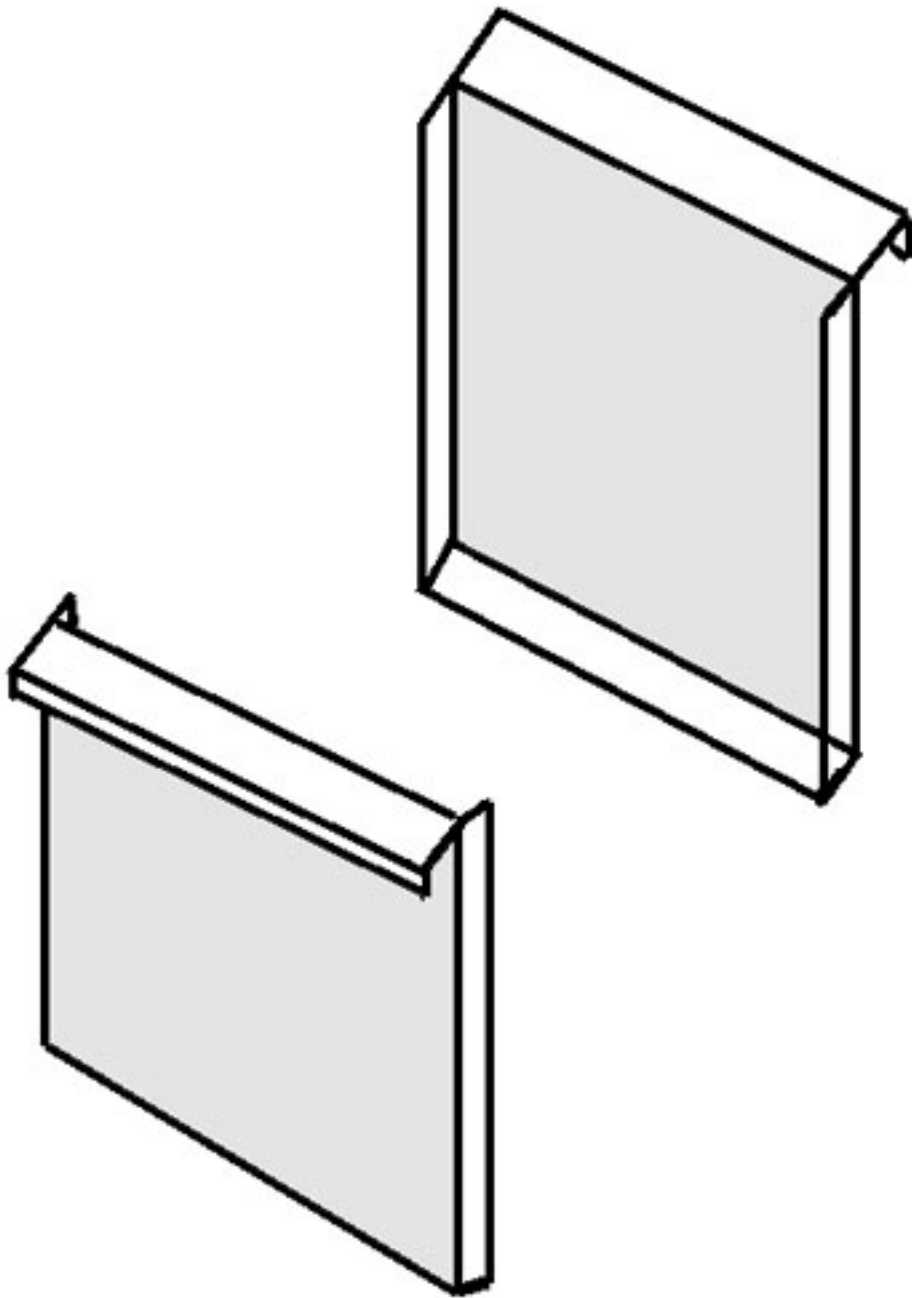
30" high

28" wide



A Machine shop should construct the sides in this manner for easy welding and best support of product and grill top when soaking.

Ends should be one piece construction to ensure no leaks.



For more information call our customer service department. We'll be happy to help